

**GREEN TEA™ 5' X 42" WHIRLPOOL**

- 3574.018WC Whirlpool featuring System I**
- Acrylic with fiberglass reinforcement
  - Pre-leveled tub bottom
  - Form-fitted backrest position
  - Raised neck support
  - Dual, molded in arm rests
  - 1.4 HP single speed, self-draining pump/motor
  - Factory installed power cord with plug
  - Eight multi-directional and flow-adjustable jets
  - Side-mounted air switch On/Off
  - Can be under-mount installed
  - Two silent air volume controls
  - Quick Connect Safe-T-Heater connection system
  - Factory installed and tested whirlpool system
  - EverClean™ whirlpool system

- 3574.002 Bathing Pool**
- Same as above without whirlpool system

**Nominal Dimensions:**

1524 x 1067 x 533mm  
(60" x 42" x 21")

**Compliance Certifications -  
Meets or Exceeds the Following Specifications:**

- Underwriters Laboratories - Hydromassage Bathtubs UL 1795
- ASME A112.19.7M for Whirlpool Appliances
- ANSI Z124.1 for Plastic Bathtubs
- ASTM E162 for Flammability
- NFPA 258 for Smoke Density

The EverClean™ system incorporates AlphaSan®, a patented antimicrobial agent manufactured right into the circulation system components, which suppresses the growth of unsightly algae, fungus, mold and mildew.

SEE REVERSE FOR ROUGHING-IN DIMENSIONS AND PRODUCT SPECIFICATIONS



**To Be Specified - Required:**

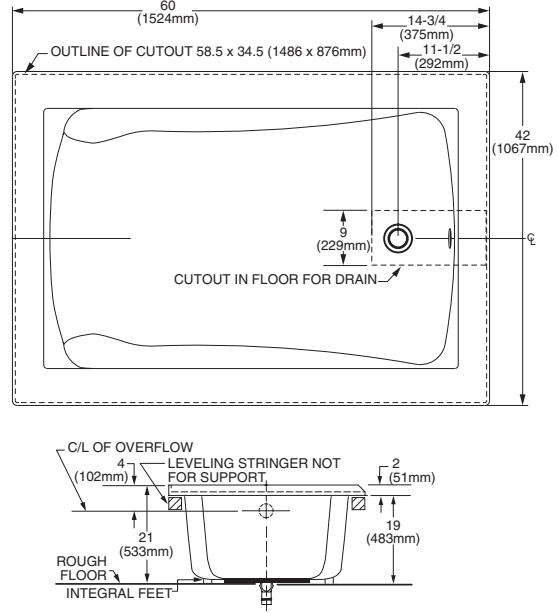
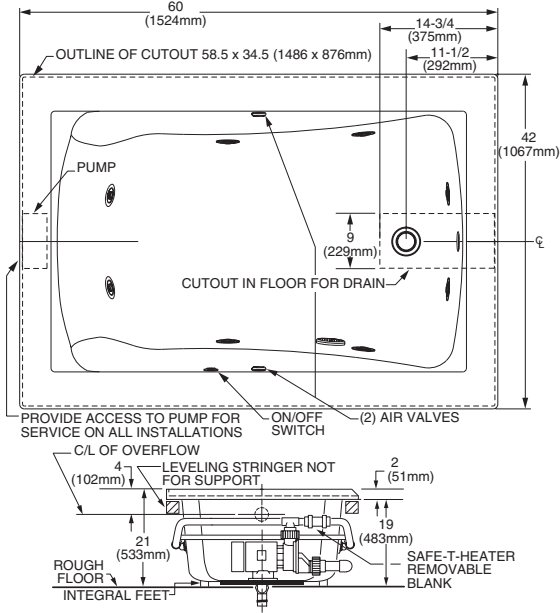
- Color:
- Bath Filler: (specify finish)
- Bath Drain: 1583.470 (specify finish)

**To Be Specified - Optional:**

- Safe-T-Heater\*: 9075.120
- Jet Trim Ring Kit: 9860.200-two per kit (Specify finish) for Body Massage Jets only
- Universal Tile Bead Kit: 751755-100

For color/finish availability and other faucet choices, please see the Product Selector and Pricing Guide.

\* **NOTE:** the Safe-T-Heater is designed to maintain water temperature during operation. It will not heat cold water to desired bathing temperature.



GENERAL SPECIFICATIONS FOR 3574 WHIRLPOOL	
INSTALLED SIZE	59-3/4 x 42 x 21 In. (1518 x 1060 x 533mm)
WEIGHT	115 Lbs. (52 Kg.)
WEIGHT w/WATER	656 Lbs. (298 Kg.)
GAL. TO OVERFLOW	65 Gal. (246 L.)
MIN. OPERATING GAL.	47 Gal. (178 L.)
BATHING WELL AT SUMP	24-1/2 x 42 In. (622mm x 1067mm)
BATHING WELL AT RIM	48 x 33 In. (1219mm x 838mm)
WATER DEPTH TO OVERFLOW	14 In. (356mm)
FLOOR LOADING	38 Lbs./Sq. Ft. (185 Kgs/Sq. m.)
(PROJECTED AREA)	
PTS.	27.8
CUBE (FT <sup>3</sup> )	47.4
WHIRLPOOL ELECTRICAL SPECIFICATIONS	
SYSTEM I PUMP	1.4 HP, 7.5 AMPS, 120V.

GENERAL SPECIFICATIONS FOR 3574 BATHING POOL	
INSTALLED SIZE	59-3/4 x 42 x 21 In. (1518 x 1060 x 533mm)
WEIGHT	78 Lbs. (35 Kg.)
WEIGHT w/WATER	619 Lbs. (281 Kg.)
GAL. TO OVERFLOW	65 Gal. (246 L.)
BATHING WELL AT SUMP	24-1/2 x 42 In. (622mm x 1067mm)
BATHING WELL AT RIM	48 x 33 In. (1219mm x 838mm)
WATER DEPTH TO OVERFLOW	14 In. (356mm)
FLOOR LOADING	36 Lbs./Sq. Ft. (175 Kgs/Sq. m.)
(PROJECTED AREA)	
PTS.	27.8
CUBE (FT <sup>3</sup> )	47.4

**NOTES:**

BATH CAN BE INSTALLED EITHER ABOVE OR BELOW FLOOR LINE AS PIER, ISLAND, OR PENINSULA TYPE INSTALLATION. SUMP OF BATH IS SUPPORTED BY INTEGRAL FEET. NO ADDITIONAL SUPPORT REQUIRED. ENCLOSING MATERIAL BY OTHERS.

■ REFER TO INSTALLATION INSTRUCTIONS SUPPLIED WITH WHIRLPOOL FOR ADDITIONAL INFORMATION.

OPTIONAL 3 WALL TILING BEAD. KIT AND APRON NO. 9260.018 OR 9360.018 AVAILABLE AND MUST BE ORDERED SEPARATELY.

● FITTINGS NOT INCLUDED AND MUST BE ORDERED SEPARATELY.

PROVIDE SUITABLE REINFORCEMENT FOR ALL SUPPORTS.

● IF INSTALLING A DECK-MOUNTED FITTING, BEFORE DRILLING ANY HOLES: CHECK FOR INTERFERENCE WITH CIRCULATING SYSTEM PIPING, DRAIN OVERFLOW, AND APRON INSTALLATION. MOUNTING HOLES DRILLED BY INSTALLER.

**IMPORTANT:** Dimensions of fixtures are nominal and may vary within the range of tolerances established by ANSI Standard Z124.1 These measurements are subject to change or cancellation. No responsibility is assumed for use of superseded or voided leaflet.